

**Product Installation Guidelines**

Document No.: 001.00.10.17  
 Version 1, 4 November 2022, Page 1 of 4

# CliniLever® CP-BS Hospital Washing Machine Tap

**PRODUCT CODES:**

- TCWMC80CC
- TCWMC80HC
- TCWMJ80CC
- TCWMJ80HC



**SPECIFICATIONS**

- Contra-rotating handles for easy use
- Smooth round design to facilitate easy cleaning and help reduce dirt and bacterial growth
- Chrome plated finish for easy cleaning and added durability
- The main body is made of solid dezincification resistant (DR) brass rod, with a DR brass fixed outlet.
- Quick action SBA's includes brass jumper valve / ceramic cartridge component, with red and blue indicator button on 80mm lever action handles.

**IMPORTANT:** All CliniLever® healthcare taps are tested in accordance with AS/NZS 3718 and leave our premises in good working order.

**TECHNICAL DATA**

Inlet	½" BSP - Female	
Outlet	¾" BSP - Male	
Headwork	TCWMJ80CC / TCWMJ80HC	Jumper Valve
	TCWMC80CC / TCWMC80HC	Ceramic Disc
Working Pressure Range (kPa)	Min	50
	Max	500
Working Temperature Range (°C)	Min	5
	Max	65
Nominal Flow Rate (LPM)	N/A	
Finish	Chrome	

**NOTE:** Galvin Specialised continually strive to improve their products. Specifications may change without notice.

**TOOLS REQUIRED**

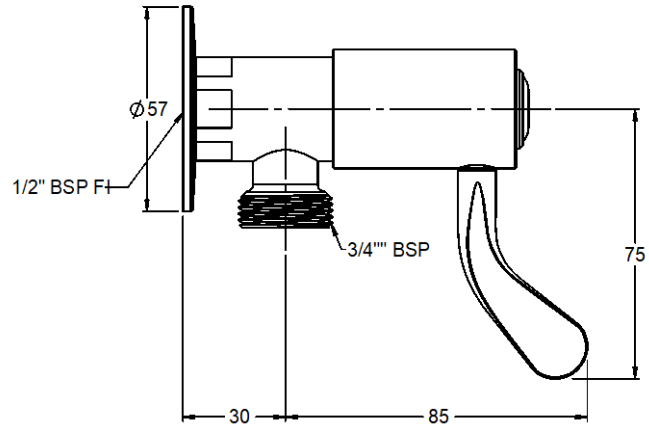
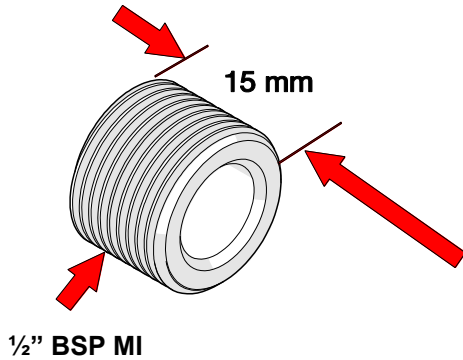
- Spanner
- Hex key
- Thread tape

**PRE-INSTALLATION - MOUNTING DETAILS**

**Wall Spud**

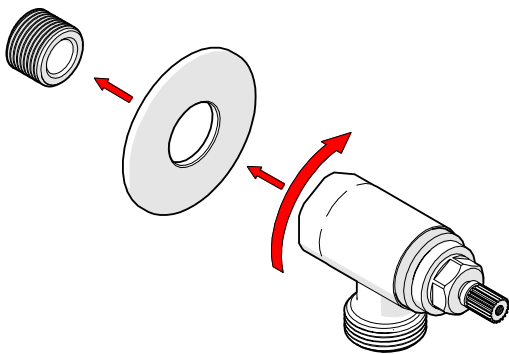
– Wall spuds must be 1/2" BSP MI and protrude from the finished wall by no more than 15mm

**Note:** In some situations a male thread connection on the tap may be more suited. If so, please contact Galvin Engineering.



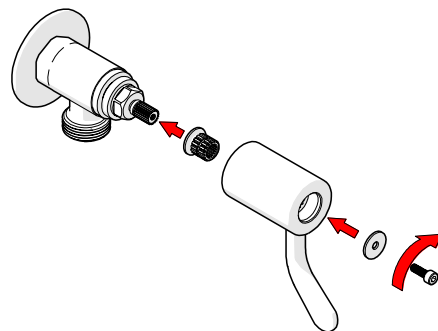
**INSTALLATION**

**IMPORTANT:** Galvin Specialised products must be installed in accordance with these installation instructions and in accordance with AS/NZS 3500, the PCA and your local regulatory requirements. Water and/or electrical supply conditions must also comply to the applicable national and/or state standards. Failing to comply with these provisions shall void the product warranty and may affect the performance of the product.



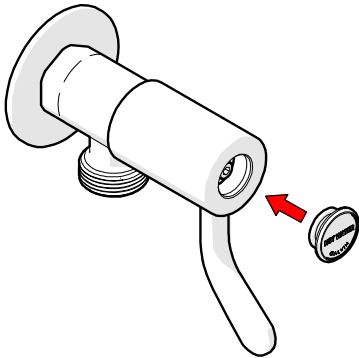
**1. Fit washing machine body**

- Fit the washing machine body assembly with the wall flange to the spud and fasten with a spanner.
- We recommend using thread tape or equivalent to ensure the connection does not leak.
- **DO NOT tighten the body by using the top assembly.**



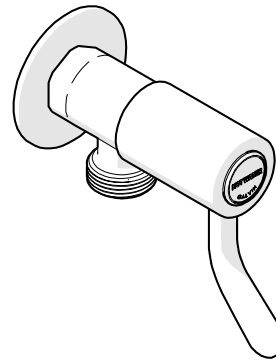
**2. Fit handle**

- Ensure the spindle is in the closed position and firmly press the lever handle onto the spindle in the desired orientation.
- Check lever handles for correct operation.
- Secure the handle in position using the supplied washer and stainless steel cap screw.



**3. Fit water temperature indicator**

- Once lever handle is secure, fit the water temperature indicator.
- Ensure the set is installed with hot and cold in the correct location.



**4. Testing**

- Once temperature indicator is fitted, check the operation of the unit, and inspect for any leaks.

**TROUBLESHOOTING**

PROBLEM	CAUSE	RECTIFICATION
Taps are dripping water	Jumper valves are worn or damaged	Replace jumper valve
	Ceramic discs are worn or damaged	Remove and inspect SBA. Remove debris and/or replace SBA if damaged.
	Tap seat is damaged	Refurbish tap seat using a reseating tool.
Water is leaking from spindle	O-ring on jumper valve spindle is damaged or worn	Replace o-ring
Water is not flowing from tap	Water is turned off	Turn water on
	Aerator or flow regulator is blocked by debris	Remove aerator and/or flow regulator from tap and remove debris. Install an inline strainer.
Spindle is difficult to turn (jumper valve)	Build up of scale on spindle, spindle worn or o-ring has been damaged	Remove jumper valve, clean and regrease. Replace o-ring. Complete SBA may need to be replaced.
Handle is loose	Screw has come loose	Tighten handle screw

**SERVICE AND MAINTENANCE**

JUMPER VALVE TAPWARE	CERAMIC DISC TAPWARE
<ol style="list-style-type: none"> <li>1. Turn off the water supply and turn on the tap handle to drain water from the bodies.</li> <li>2. Remove the temperature indicator from the handle.</li> <li>3. Remove the handle from the tap.</li> <li>4. Unscrew the top assembly from the body.</li> <li>5. Check the o-ring on the spindle and the jumper valve for wear and damage. Replace if required.</li> <li>6. Clean the spindle and body of debris.</li> <li>7. Place a new o-ring (if required) onto the spindle and re-grease with potable water approved grease.</li> <li>8. Re-assemble top assembly. Follow the product installation guidelines for the relevant product to re-assembly method.</li> </ol>	<ol style="list-style-type: none"> <li>1. Turn off the water supply and turn on the tap handle to drain water from the bodies.</li> <li>2. Remove the temperature indicator from the handle.</li> <li>3. Remove the handle from the tap.</li> <li>4. Unscrew the ceramic head part from the body.</li> <li>5. Check the o-ring on the ceramic head part for wear and damage. Replace if required.</li> <li>6. Clean the head part and the body of any debris.</li> <li>7. Replace the cartridge and hand tighten back into the body.</li> <li>8. Follow the product installation guidelines for the relevant product to re-assemble.</li> </ol>

**WARRANTY**

The warranty set forth herein is given expressly and is the only warranty given by the Galvin Engineering Pty Ltd. With respect to the product, Galvin Engineering Pty Ltd makes no other warranties, express or implied. Galvin Engineering Pty. Ltd. hereby specifically disclaims all other warranties, express or implied, including but not limited to the implied warranties of merchantability and fitness for a particular purpose.

Galvin Engineering Pty Ltd products are covered under our manufacturer’s warranty available for download from [www.galvinengineering.com.au](http://www.galvinengineering.com.au) Galvin Engineering Pty Ltd expressly warrants that the product is free from operational defects in workmanship and materials for the warranty period as shown on the schedule in the manufacturer’s warranty. During the warranty period, Galvin Engineering will replace or repair any defective products manufactured by Galvin Engineering without charge, so long as the terms of the Manufacturer’s warranty are complied with.

The remedy described in the first paragraph of this warranty shall constitute the sole and exclusive remedy for breach of warranty, and Galvin Engineering Pty Ltd shall not be responsible for any incidental, special or consequential damages, including without limitation, lost profits or the cost of repairing or replacing other property which is damaged if this product does not work properly, other costs resulting from labour charges, delays, vandalism, negligence, fouling caused by foreign material, damage from adverse water conditions, chemical, electrical or any other circumstances over which Galvin Engineering has no control. This warranty shall be invalidated by any abuse, misuse, misapplication, improper installation or improper maintenance or alteration of the product.